

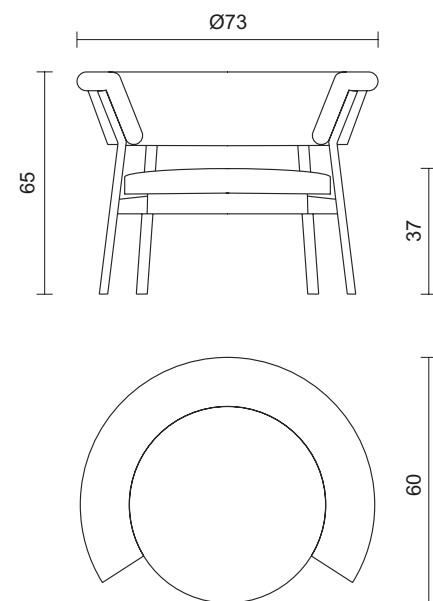
Trecentosessanta

designed by Eugenio Gerli
1958 / 2017

Details

Type: lounge armchair
Materials: wood / foam / fabric
Weight: 9 Kg

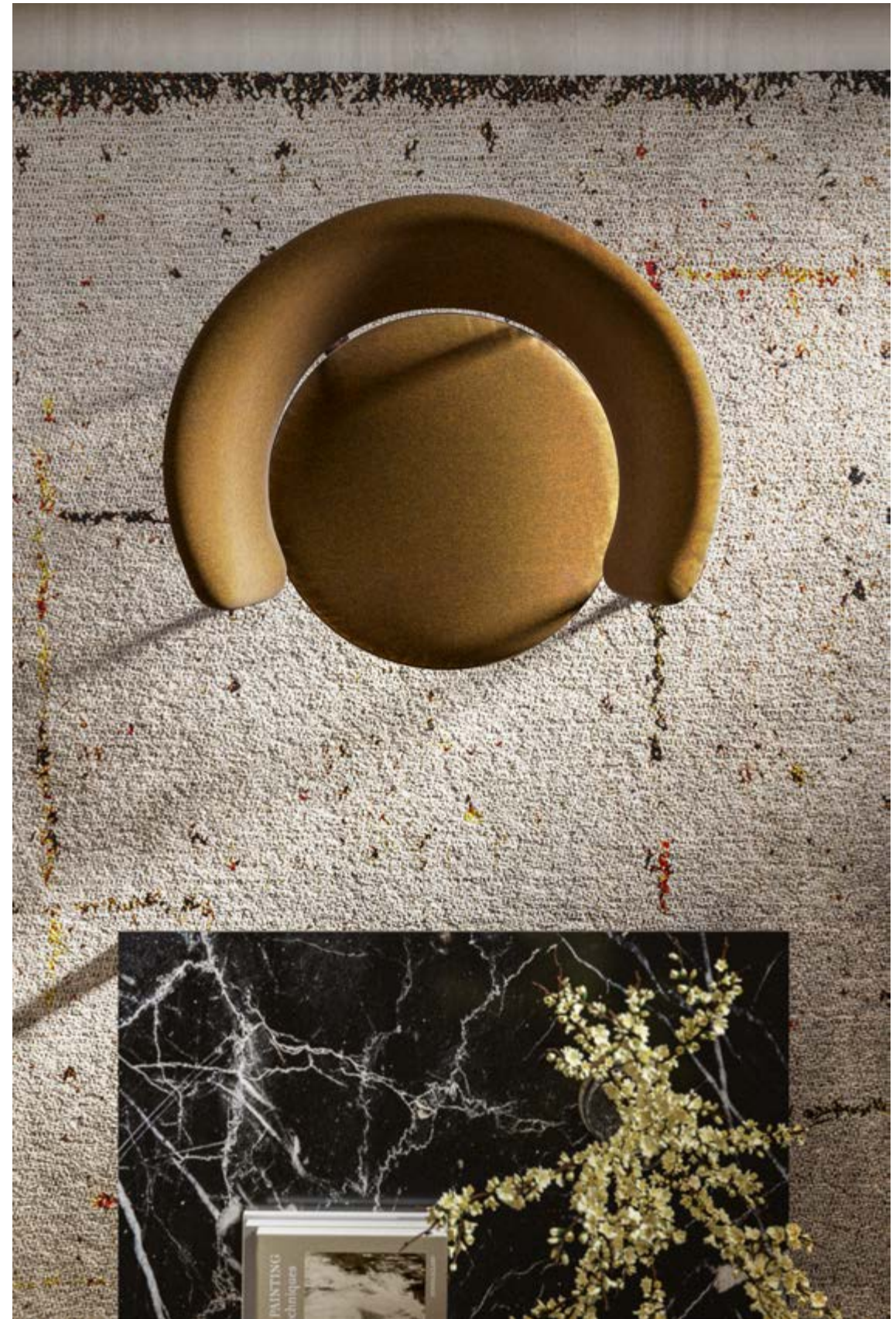
Measurements



Upholstery

VELVET	FELT WOOL	LEATHER	CUSTOMER FABRIC
page 76	page 77	contact us	contact us

Structure



Check out our **velvet** and **felt wool** proposals for **Trecentosessanta** at page 76/77, or contact us for custom upholstery requests.



